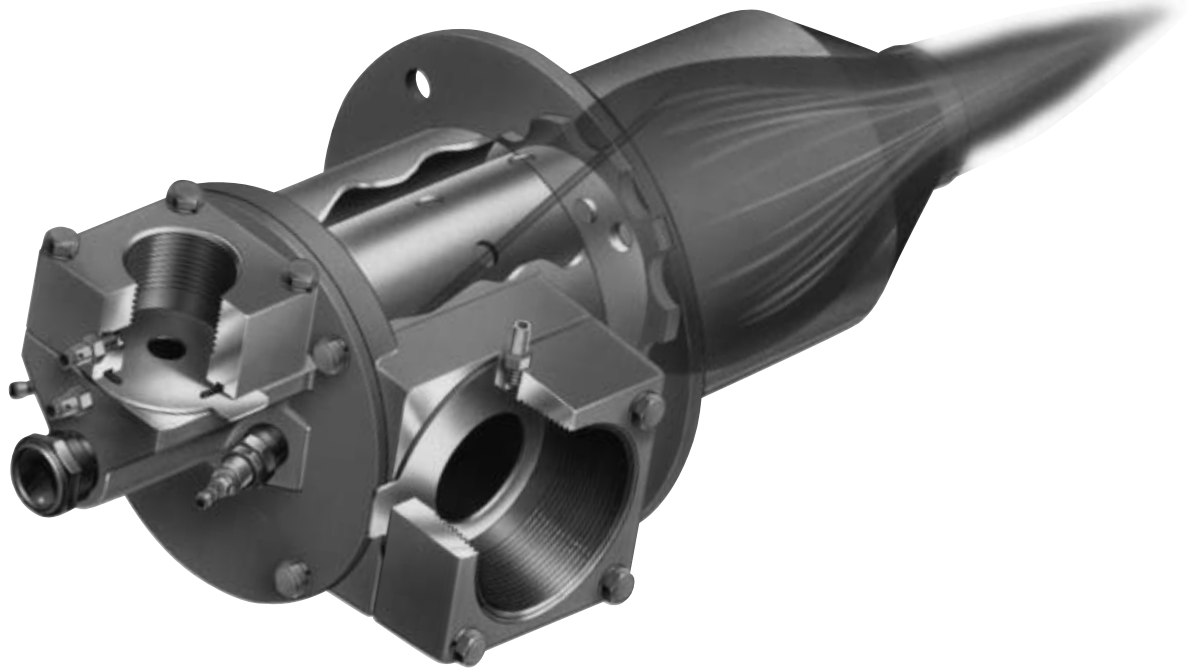




1015 AFTERBURNER



The **ANCO® 1015 Afterburner** is a vapor system component that utilizes a 150,000 BTU/Hr Burner to help reduce foul and objectionable odors. The unit can be used with up to two ANCO 5 x 16 Cookers, and is placed in the vapor system after a condenser or hot well. High temperature in the manifold assembly allows the non-condensable gasses to oxidize/reduce. This oxidation/reduction aids in the reduction and/or removal of offensive odors being emitted to the atmosphere.

Reduction amounts will depend on vapor stream constituents and burner temperature settings.

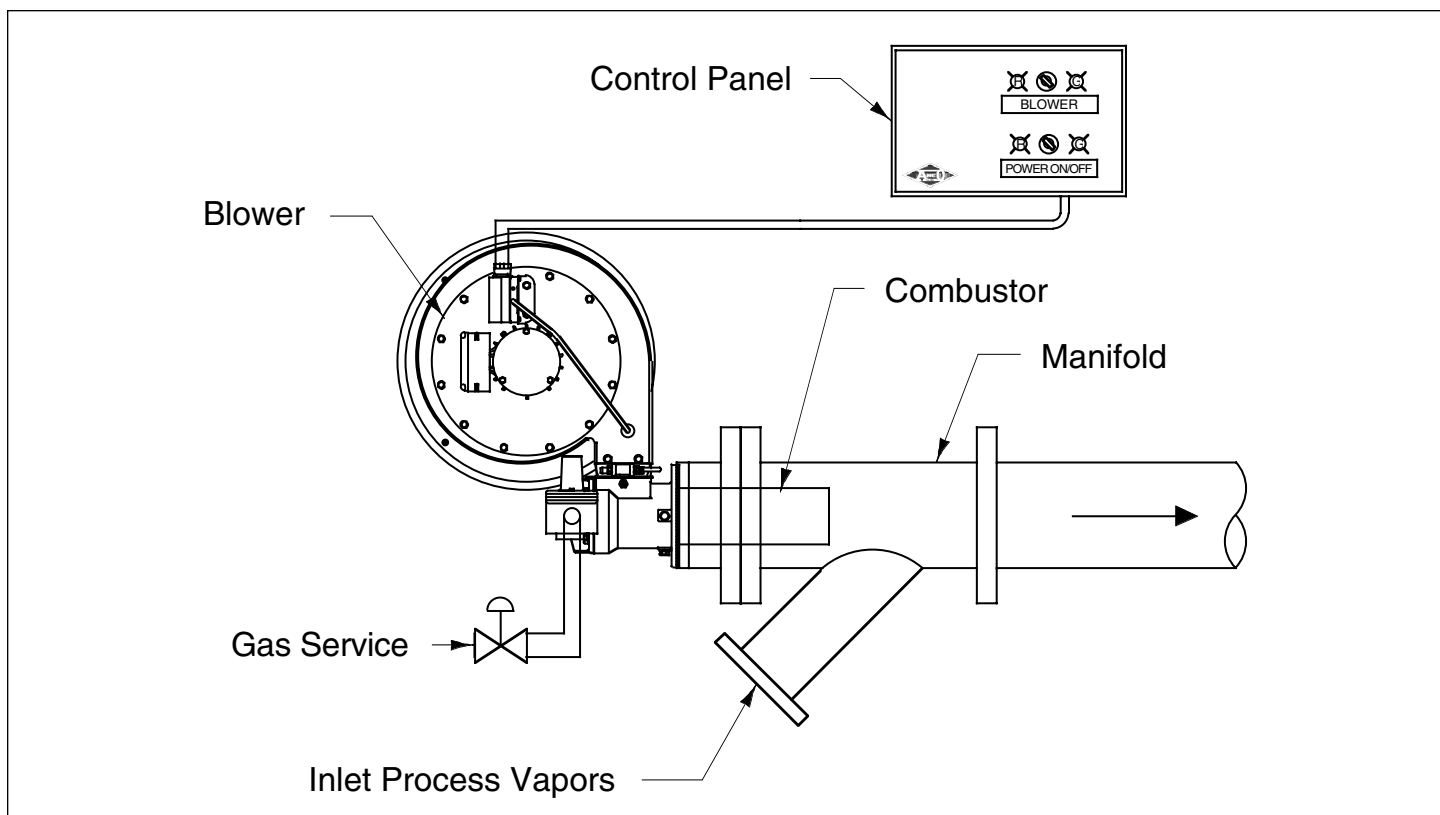
The ANCO® 1015 Afterburner gives you an economical alternative to expensive vapor scrubbing or incineration.

The **ANCO® 1015 Afterburner** consists of the following components:

- Thermal Jet Burner
- Combustion Chamber
- Blower with 1/2 HP Motor
- Manifold
- High and Low Gas Chamber
- Switches with Indicator Light
- Flame Monitor
- Ignition Transformer
- Temperature Control with High Temperature Safety Limit Switch
- Air Inlet Control Valve
- Control Panel
- Gas Train Valves and Switches

For versatility, the burner is capable of burning Natural Gas, Propane, or Butane, with a firing range of 80,000 BTU/Hr to a maximum 150,000 BTU/hr.

SPECIFICATIONS: 1015 AFTERBURNER



GENERAL SPECIFICATION:

Weight: Shipping - 225 Lbs.
 Dimensions: Shipping - 3' x 3' x 3'
 Electrical: 120 VAC / 60 Hz / 1Ø
 Fuel: Natural Gas - 150 CFH @ 7 PSIG
 Propane - 59 CFH @ 7 PSIG
 Butane - 47 CFH @ 7 PSIG
 Combustion Air: 30 CFM @ atmosphere.
 (clean and dry)
 Maximum Operating Temperature: 650°F
 (using carbon steel)

GENERAL CONSTRUCTION:

Piping: ASTM A-53 / Black Steel, Schedule 40
 Fittings: Class 150 flanges
 Schedule 40 butt welded
 150# malleable iron

RATED CAPACITY:

4400 CFH per cooker

AVAILABLE OPTIONS:

- Various electrical voltages and frequencies
- Higher temperature steels
- IRI valve proving system

ANCO® has been known since 1902 as a supplier and manufacturer of specialized rendering, food, chemical and related equipment. Our focus as we head into the 21st century is on specialty heating, evaporation and cooling equipment for a multitude of products. Other equipment divisions include BOSS and KSI product lines.

The seller makes no warranties, express or implied, including but not limited to the implied warranties of merchantability and fitness for a particular purpose except expressly stated in seller's sales contract or sales acknowledgement form.

ANCO-EAGLIN, Inc.

120 North Chimney Rock Road • Greensboro, North Carolina 27409
 336-855-7800 • FAX 855-7831 • e mail: ancoeaglin@aol.com