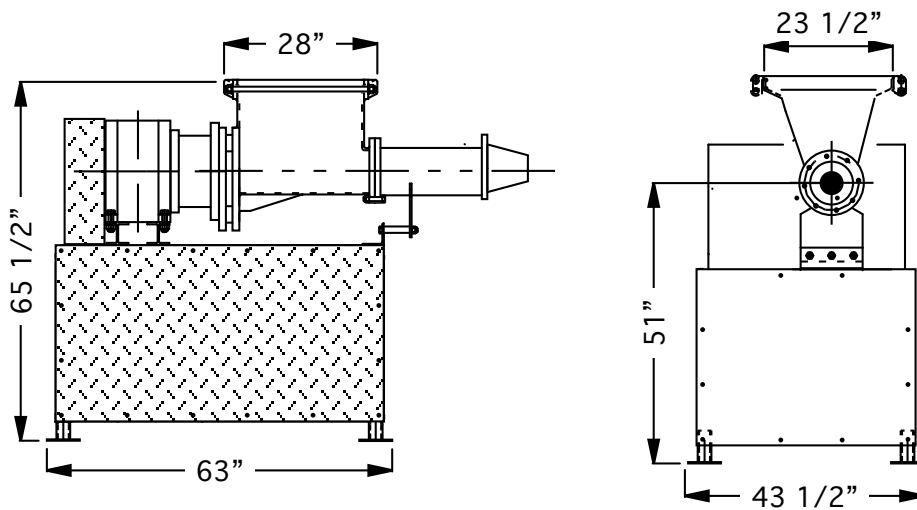
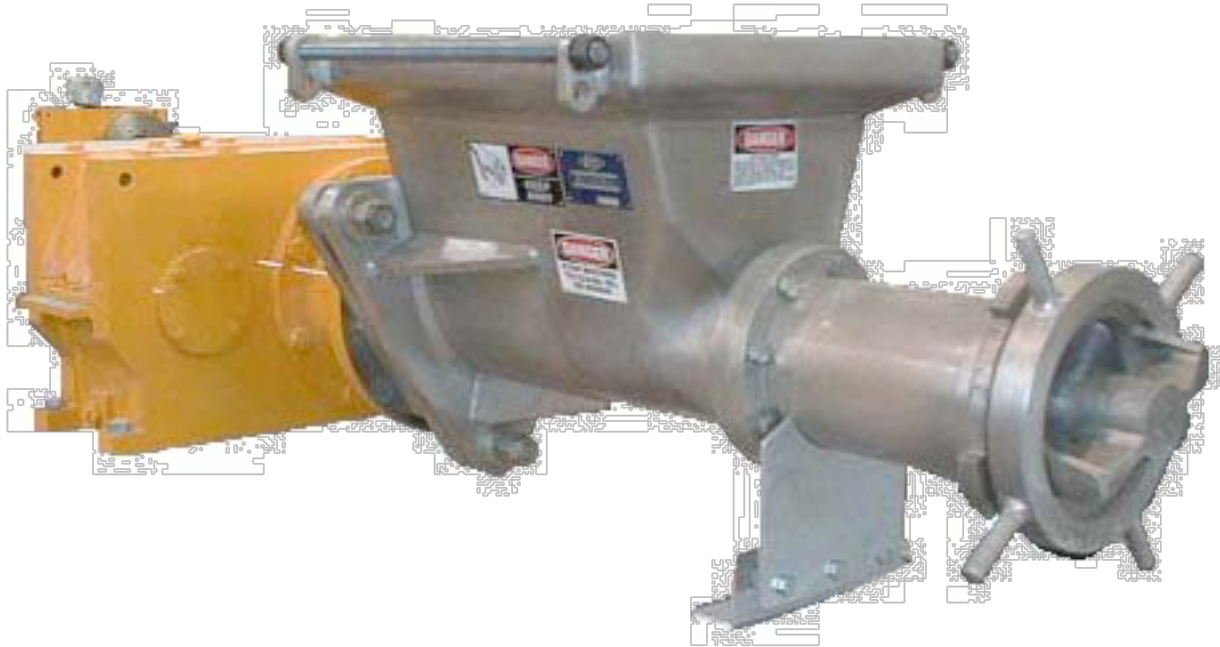




# AE-878 EDIBLE MEAT GRINDER



**FEATURES-** The ANCO model no. 878 grinder is especially **designed to grind meat and fat trimmings for an edible application.** The grinder is manufactured with sanitary components to comply with USDA requirements. The wide bowl and large throat opening in the cylinder and expander thread of the screw under the opening, insure drawing of meat into the cylinder rapidly and safely without mashing, heating or backing up. The no. 878 was engineered and designed for performance, reliability, efficiency, safety and low maintenance.

Contact **ANCO-EAGLIN** for more information about capacities and HP requirements for your particular application.

The seller makes no warranties, express or implied including but not limited to the implied warranties of the merchantability and fitness for a particular purpose except expressly stated in seller's contract or sales acknowledgement form.

**ANCO-EAGLIN, Inc.**

120 North Chimney Rock Rd. • Greensboro, North Carolina 27409, USA  
TEL (336) 855-7800 • FAX (336) 855-7831 • E-mail: ancoeaglin@aol.com  
HOME PAGE: www.ancoeaglin.com