



CONDENSING EQUIPMENT



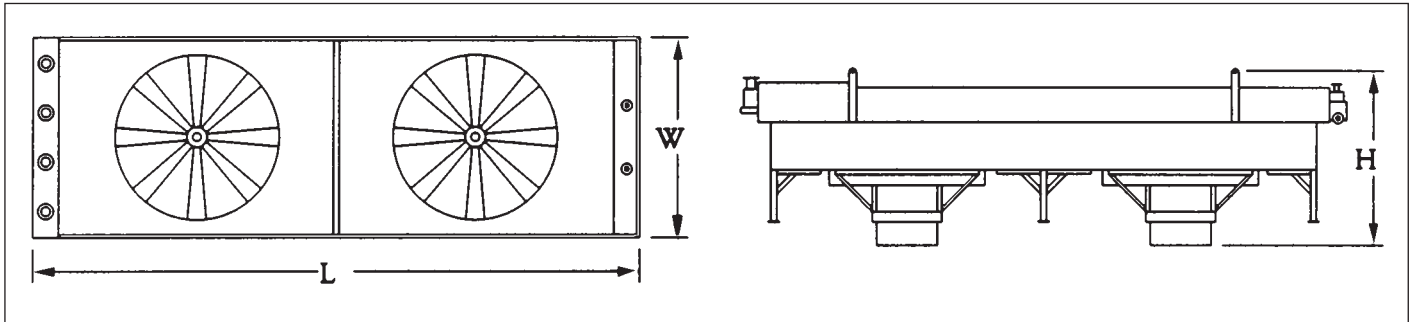
A key component in any successful rendering system is vapor condensing equipment. Without proper condensing, cookers are less efficient, resulting in higher operating costs and usually lower product quality. There is no single solution for all rendering applications; therefore, ANCO® offers several options appropriate for varying plant sizes.

Air Cooled Condensers are one of the choices available to customers today. In this type of unit the vapors from the cooking process are piped to the condenser through a bank of tubes. These tubes are typically constructed with a number of fins or other type of extended surface to increase the effective surface for transfer of heat between the vapors and cooling air. Fan(s) will blow

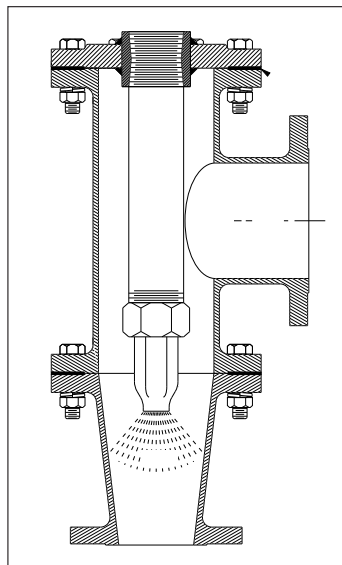
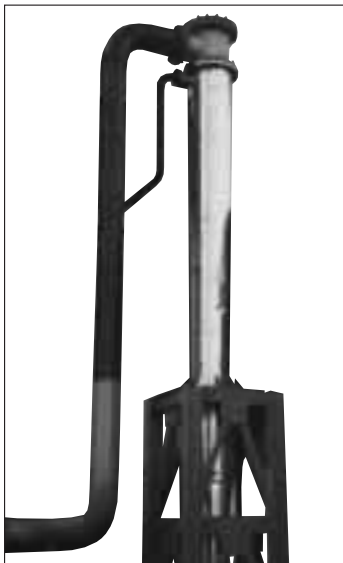
cooling air over the finned tubes. Heat is thus transferred from the vapors through tube walls and fins to the cooling air, with the resulting effect being the condensing of the vapors. The quantity of cooling air delivered to the unit is controlled by a thermostat. The non-condensable gases are pumped out by a fan.

- *No water usage required, vapor cooling only by indirect air fan.*
- *Easily integrated into PLC operating systems.*
- *Varying sizes can be tailored to customers plant requirements or combined with alternative condensing equipment.*

Specifications: AIR COOLED CONDENSER



Size	WEIGHT LBS/KGS	H FT/M	L FT/M	W FT/M	CAPACITY LBS/KGS	MOTORS 2 REQUIRED
AEC-06	14,600 / 6,600	11.8 / 3.6	30 / 9.1	8.1 / 2.5	6,000 / 2,700	15
AEC-08	17,000 / 7,700	12.3 / 3.8	31 / 9.8	9.7 / 2.9	8,000 / 3,600	20
AEC-10	20,400 / 9,900	12.3 / 3.9	32 / 3.9	11.5 / 3.5	12,000 / 5,400	20
AEC-12	21,800 / 9,900	12.8 / 3.9	35 / 12.1	11.5 / 3.5	12,000 / 5,400	20
AEC-16	29,400 / 13,400	14 / 4.3	39.6 / 12.1	11.5 / 3.5	16,000 / 7,300	30



The No. 1044 Jet Condenser is especially adapted for condensing steam and noxious vapors when used in conjunction with a No. 103B Hot Well. The water requirements are 60 to 70 GPM at 60° F to condense 2,000 lbs./hr. of steam to 133° F tail pipe temperature. Manufactured in a six-inch size, the jet Condenser weighs 220 lbs. net.

Shell and Tube Condensers are pre-engineered for exact capacities. The exchangers physical size can be modified for space limitation either in a vertical or a horizontal design. The materials of construction can be specified. This will allow the unit to be used for heating potable water, cooling towers, or other water sources.

ANCO-EAGLIN, Inc.

120 North Chimney Rock Road • Greensboro, North Carolina 27409
336-855-7800 • FAX 855-7831 • e mail: ANCOEAGLIN@AOL.COM